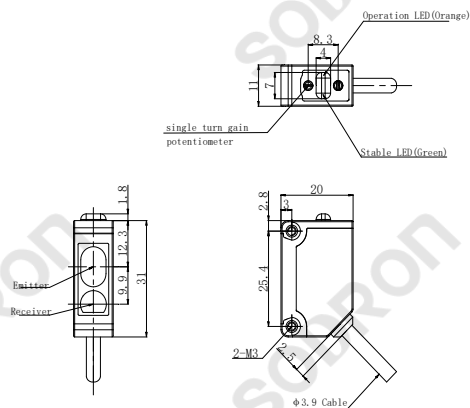




### Dimensions



### Model

PF31V-B30BNSR  
PF31V-B30BPSR

### Technical parameters

Detection method Adjustable Distance Reflective Type

Model NPN PF31V-B30BNSR  
PNP PF31V-B30BPSR

Sensing distance 30 ~ 300mm

Standard target White paper 100\*100mm

Reflectivity characteristic 20% of set distance max

Output mode Light ON/Dark ON adjustable

Light source Red LED:620nm

Supply power DC 12 ~ 24V ±10% impulse(P-P) < 10%(DC10-30V)

Residual voltage 2V max(Load current ≤ 100mA)

Current consumption < 25mA

Load current ≤ 100mA

Circuit protection Reverse connection protection, Short circuit protection

Response time < 1ms

Distance setting 5-turned endless adjuster

Detection mode Detection Mode Switching: Select BGS/FGS Functions

Indicator light Output: Orange LED Stable: Green LED

Connection Cable 2m

Ambient temperature Work: -25 ~ +55°C; Store: -30 ~ +70°C,  
(No dew condensation or icing allowed)

Ambient humidity Work: 35 ~ 85%RH, Store: 35 ~ 95%RH, (No dew condensation)

Ambient illumination Sunlight: 10,000Lx; Lamplight: 3,000Lx

Withstand voltage AC 1000V, 50/60Hz, 1min, between current-carrying parts and case

Insulation resistance > 20MΩ (DC500V megger) between current-carrying parts and case

Anti-vibration 10~55Hz double-amplitude 1.5mm X, Y, Z 2h

Impact resistance 500m/s<sup>2</sup> X, Y, Z, directions for 3 times

Protection degree IEC IP65

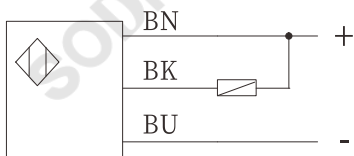
Material Housing PBT  
Lens PMMA

### Product features

- With background suppression function, red light 620nm
- Adopts ASIC, featuring fast response and high frequency
- IEC IP65

### Connection

#### NPN



#### PNP

